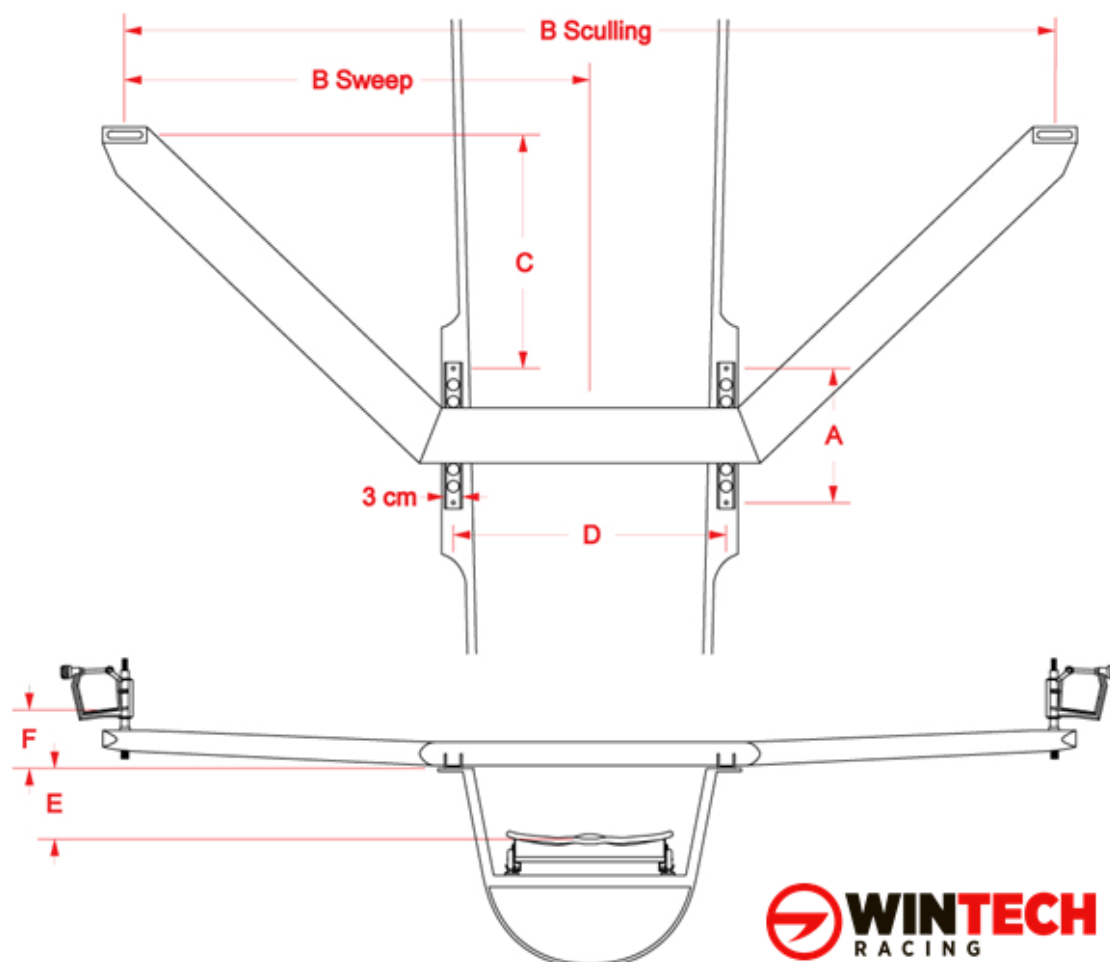


Aluminum Wing Rigger Ordering Guide

Rower/Team Name:	Order Date:
Avg. Crew Weight (Kg):	Boat Type:



A (<i>bolt-bolt</i>)	mm	D, 1 seat (<i>bolt-bolt</i>)	mm
B Scull (<i>avg. span, +/-4.5cm</i>)	mm	D, 2 (<i>bolt-bolt</i>)	mm
B Sweep (<i>avg. spread, +/-2.5cm</i>)	mm	D, 3 (<i>bolt-bolt</i>)	mm
C (<i>pin-bow bolt</i>)	mm	D, 4 (<i>bolt-bolt</i>)	mm
E (<i>seat top-flange</i>)	mm	D, 5 (<i>bolt-bolt</i>)	mm
F (<i>flange-oarlock height</i>)	mm	D, 6 (<i>bolt-bolt</i>)	mm
F is measured to the bottom inside of the oarlock at the desired avg. height.		D, 7 (<i>bolt-bolt</i>)	mm
		D, 8 (<i>bolt-bolt</i>)	mm